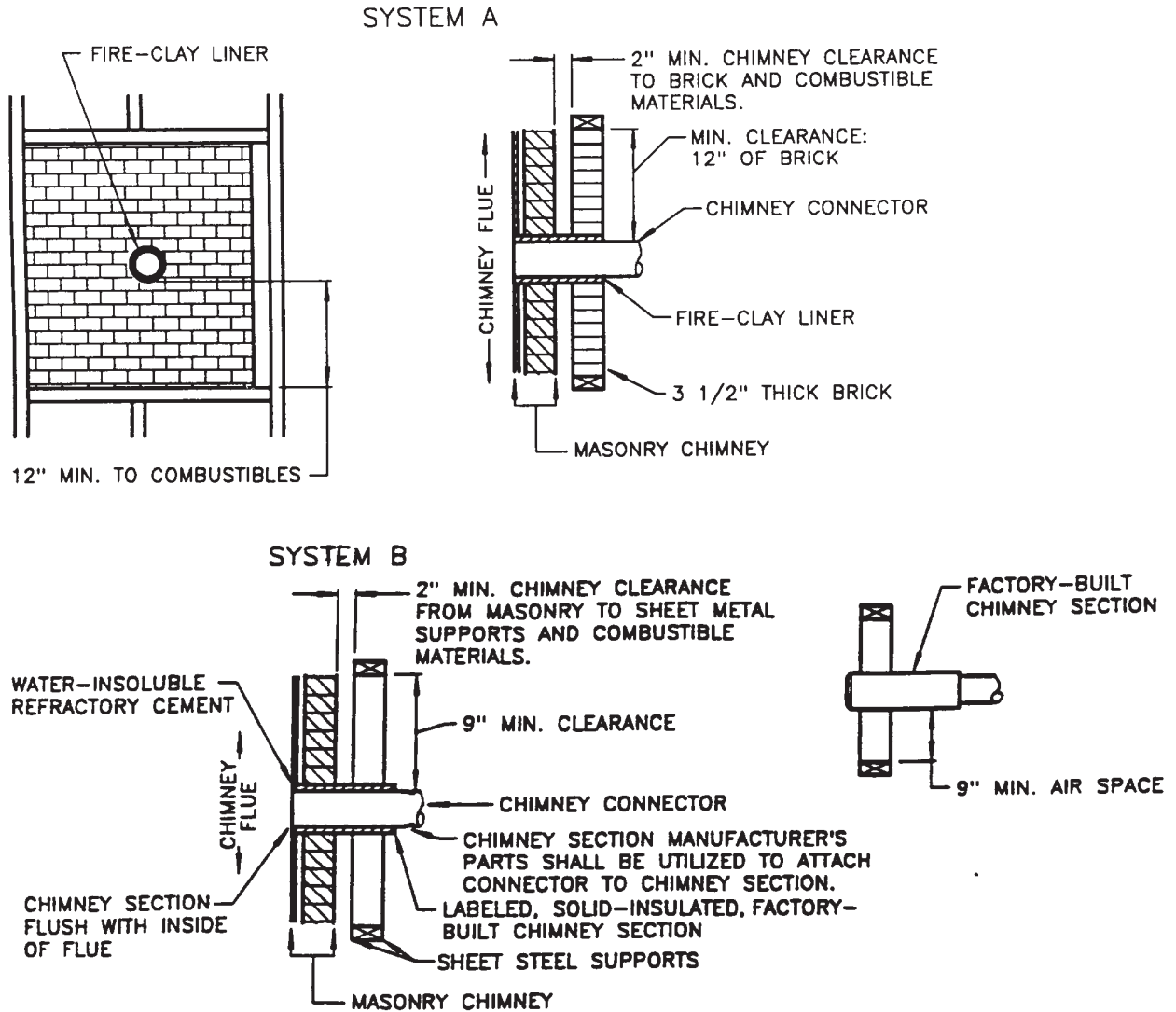


APPENDIX A

CHIMNEY CONNECTOR PASS-THROUGHS

(This appendix is informative and is not part of the code.)

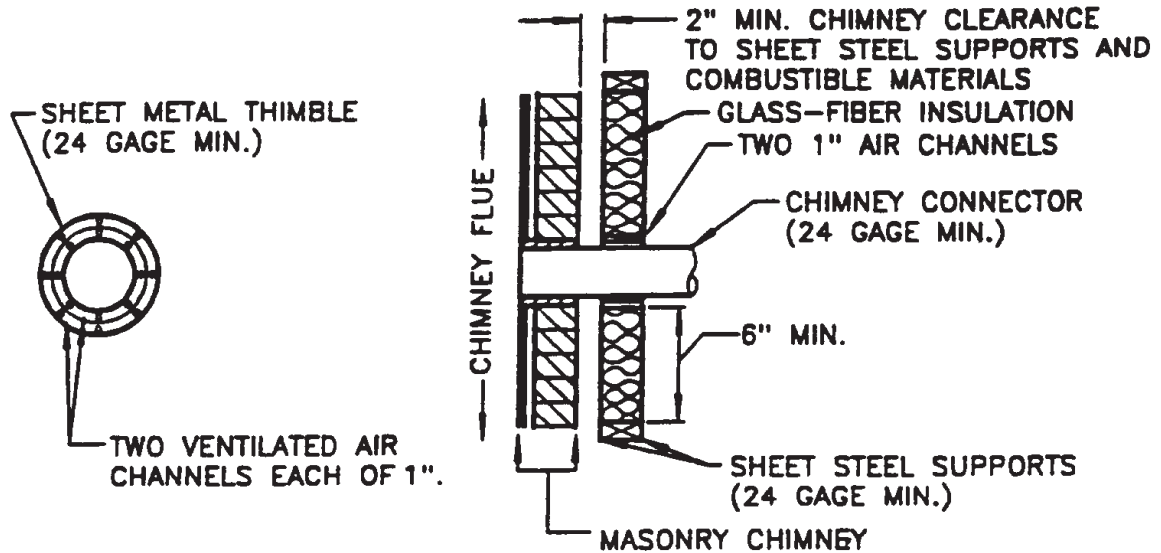


For SI: 1 inch = 25.4 mm.

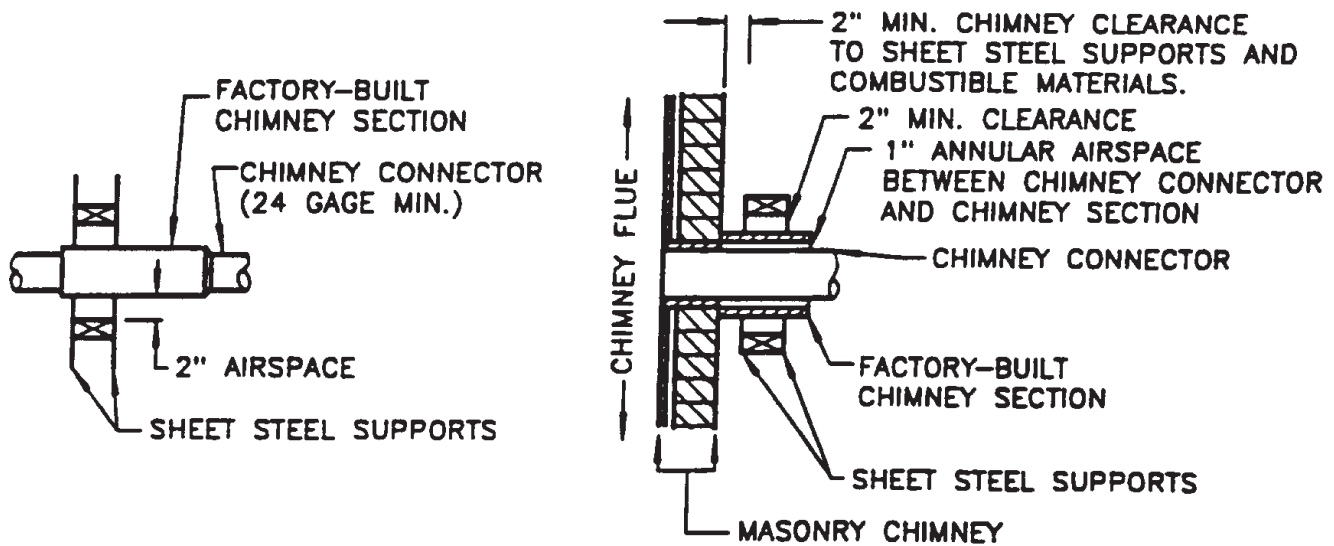
FIGURE A-1
CHIMNEY CONNECTOR SYSTEMS

(continued)

SYSTEM C



SYSTEM D



For SI: 1 inch = 25.4 mm.

FIGURE A-1—continued
CHIMNEY CONNECTOR SYSTEMS